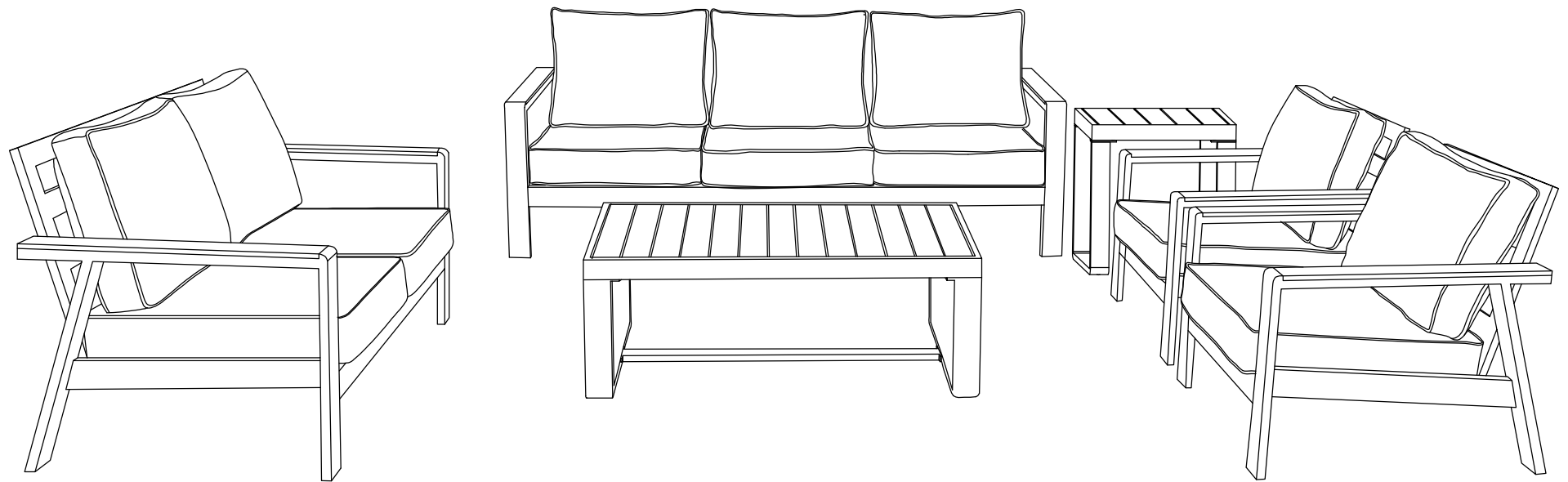
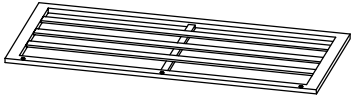
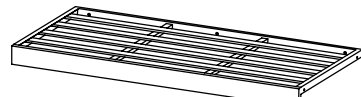

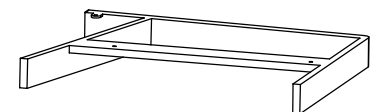

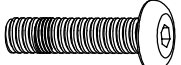




Assembly Instruction



NO.		QTY
A		1
B		1
C		1
D		1
X1	 M6*20	2
X2	 M6*35	7
Y		9
Z		1

